

2011 172S SKYHAWK PRICE LIST

Price
(USD)

Avionics

NAV III - Garmin G1000 Equipped Skyhawk 172S\$307,500

Fully Integrated EFIS System consisting of:

- Two 10.4" high resolution XGA displays (PFD/MFD)
- Attitude Heading Reference System (AHRS)
- Solid State Air Data Computer (ADC)
- Solid State 3-Axis Magnetometer
- Dual IFR Enroute/Approach and WAAS Certified GPS
- XM Satellite Weather and Radio (subscription required)
- Garmin GFC700 Fully Integrated Two-axis Autopilot
- Electronic Engine Indication System (EIS)
- Dual Nav/Comm (16 Watt)
- Mode S Transponder
- Digital Audio Panel with Audio Playback
- Traffic Information System (TIS)
- Terrain and Obstacle Mapping
- Backup Airspeed, Attitude, and Altimeter
- Garmin SafeTaxi & FliteCharts
- FliteCharts do not provide Geosynchronous Positioning*

Optional Equipment

- Air Conditioning - Keith Products (STC)\$29,960
- Pedal Extensions\$980
- Stabilizer Boots\$330
- Amsafe Inflatable Restraints - Seats 3 and 4 (Seats 1 and 2 Standard)\$1,830
- TAWS-B Terrain (Garmin)\$9,120
- ADF KR87 – Separate control head displayed on PFD *\$6,420
- DME KN63 – Integrated control - displayed on PFD *\$7,940
- C406N Three Frequency Emergency Locator Transmitter with GPS Interface *\$8,080
- Synthetic Vision Technologies (Garmin).\$9,590
- MPL Observer Seat(-\$250)
- Chartview powered by Jeppesen\$3,310

- This option provides enablement only and does not include a Jeppesen subscription. Subscriptions are available from Jeppesen at www.jeppesen.com

- Either Jeppesen ChartView or Garmin FliteCharts may be configured on your system, but not both. By selecting the ChartView option you are electing to disable Garmin FliteCharts.

Interior

High Contrast Light Taupe and Black Sport Interior Theme

- Leather Seat SurfacesN/C
- Fabric Seat SurfacesN/C

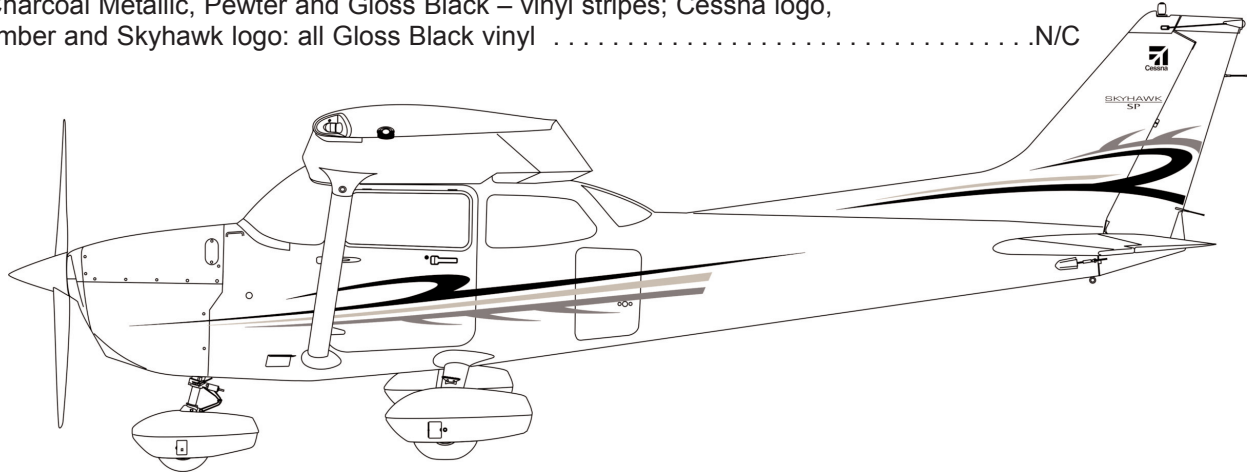
Prices subject to change without notice

* International Only

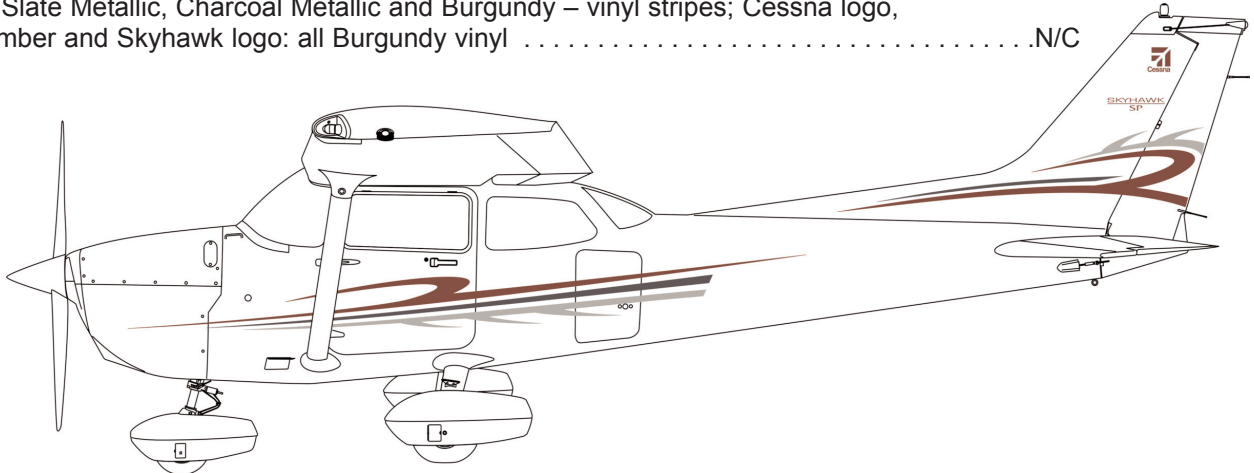
Call 1-800 4 CESSNA in the U.S. or +1-316-517-6056 outside the U.S. today for details on purchasing your new Skyhawk.

2011 172S SKYHAWK EXTERIOR STRIPING OPTIONS

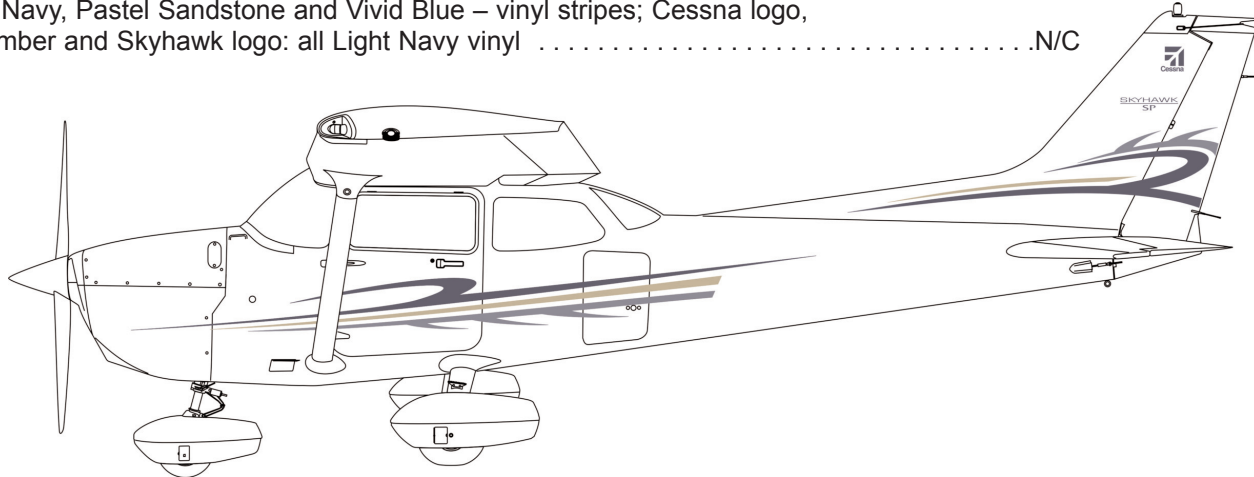
522: Light Charcoal Metallic, Pewter and Gloss Black – vinyl stripes; Cessna logo, registration number and Skyhawk logo: all Gloss Black vinylN/C



522A: Light Slate Metallic, Charcoal Metallic and Burgundy – vinyl stripes; Cessna logo, registration number and Skyhawk logo: all Burgundy vinylN/C



522B: Light Navy, Pastel Sandstone and Vivid Blue – vinyl stripes; Cessna logo, registration number and Skyhawk logo: all Light Navy vinylN/C



Prices subject to change without notice

Call 1-800 4 CESSNA in the U.S. or +1-316-517-6056 outside the U.S. today for details on purchasing your new Skyhawk.